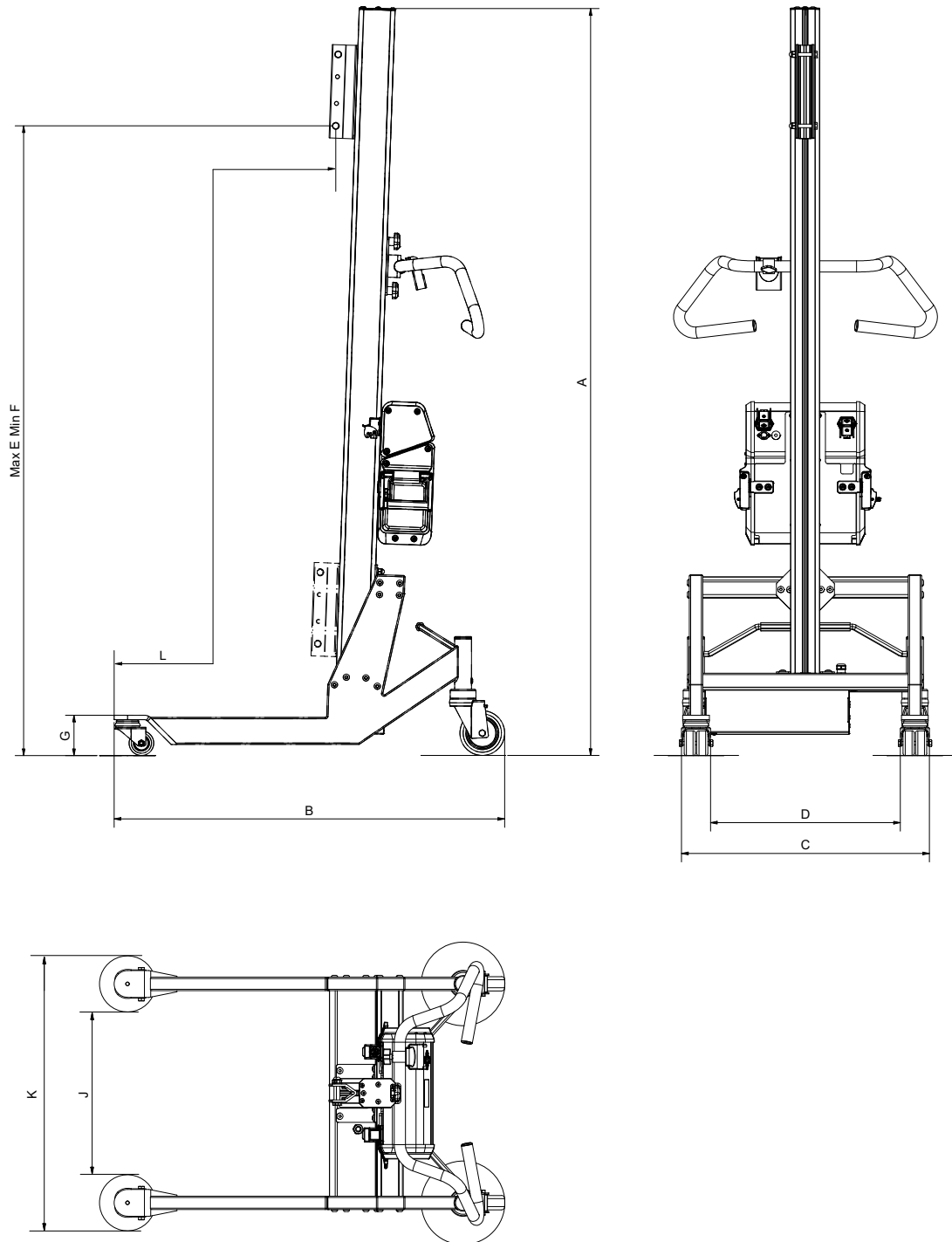


# Lift&Drive 130PRX

Technical data sheet



## Dimensions



| Model *                  | A    | B   | C   | D   | E    | F   | G   | J   | K   | L   |
|--------------------------|------|-----|-----|-----|------|-----|-----|-----|-----|-----|
| 130PRX (mm)              | 1728 | 907 | 552 | 428 | 1460 | 302 | 142 | 313 | 667 | 546 |
| 130PRX, low castors (mm) | 1676 | 874 | 566 | 416 | 1408 | 250 | 90  | 364 | 616 | 456 |

\* Base model as standard column, legs, and cross member. The table shows theoretical measurements.

## Technical data

|  |                   |
|--|-------------------|
| Description  | Lift&Drive 130PRX |
| Net weight (kg)*                                       | 42                |
| Maximum load including tool at 400 mm from column (kg) | 130               |
| Max lifting speed empty (mm/s)                         | 132               |
| Weight load ratio                                      | 0,32              |
| Stainless steel option                                 | Yes               |
| Min turning radius* (Ø mm)                             | 1046              |
| Safety approvals                                       | CE                |

## Battery options

|                               |                                |
|-------------------------------|--------------------------------|
| Battery types                 | LiFePO4 or VRLA AGM            |
| Nominal battery voltage (VDC) | 24                             |
| Battery capacities (Ah)       | 10 LiFePO4<br>7,2 AGM, 12 AGM, |

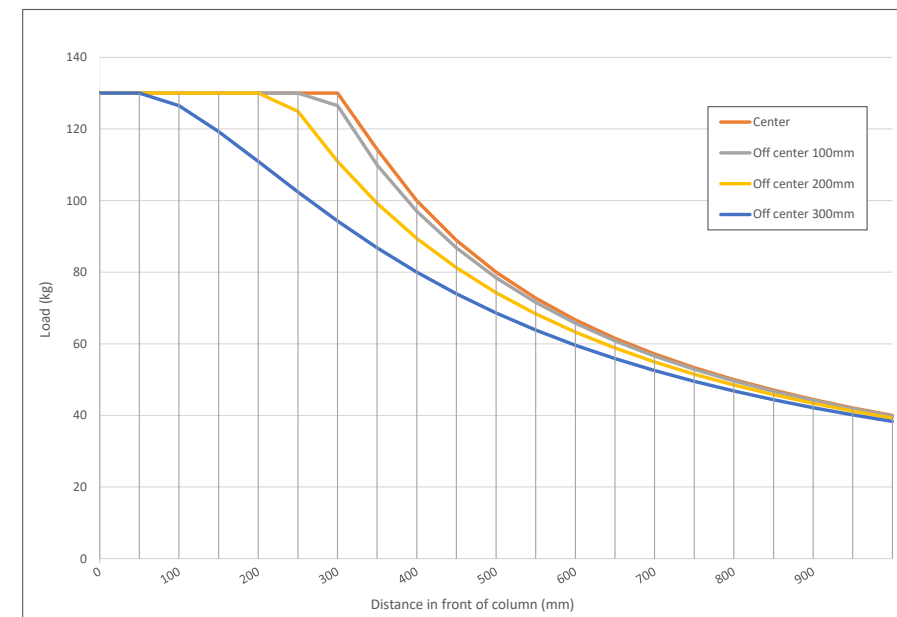
## Charger

|                              |  |
|------------------------------|--|
| Charger options (A)          | 1.5 or 4   |
| Max charge voltage (VDC)     | 29   |
| Nominal input voltage (VAC)  | 100-240 ±10%   |
| Available plugs with charger | Plug Type A – North America<br>Plug Type C – Europe<br>Plug Type G – UK<br>Plug Type I – AU / NZ |
| Safety - Charger 1.5A        | CE, cCSAus,<br>IEC EN 60601-1,<br>IEC EN 60601-1-2   |
| Safety - Charger 4A          | CE, UL, CSA  |

\* Lowest net weight, no tool, Li battery

\*\* Performance under optimal circumstances

## Load capacity



## Available tools and accessories

| Tools   | Accessories                |
|---|----------------------------|
| Platform, with or without side rolls                        | Holder for battery charger |
| Roll-on platform, side or front loaded                      | V-block                    |
| Forks, Forks for crates, with or without fold down platform |                            |
| Prong   |                            |
| Expand&Turn   |                            |
| Squeeze&Turn  |                            |
| Turn  |                            |
| Option: Bespoke tools                                       |                            |

**Disclaimer.** We reserve the right to make changes. Illustrations, drawings and data are not always in accordance with the latest version or standard model in production. The models in the pictures may present special equipment or colours.

Smart moves  
For safe work

**PRONOMIC AB**  
Phone: +468 544706 60  
sales@pronomic.com | pronomic.com