

MOBICHAIN™

Flexible jib crane for ergonomic lifting

Mobichain is a unique product that combines the mobile articulated jib crane smoothness with fast, precise and stepless lifting movements via an integrated Mechchain Pro.

With height-adjustable column, mobile or fixed mounting, reach of up to 4 meters and a lifting capacity up to 125 kg is Mobichain an exceptional product for ergonomic and sustainable handling.



PRODUCT FEATURES

- Mobile solution with frequency-controlled lifting unit for smooth stepless lift-and lower movements
- High precision in combination with high lifting speed
- Control via joystick
- Compact, low construction height and silent working
- Easy to move with manual pallet truck
- Connect to 230V wall socket

Mobile solution with frequency-controlled lifting unit

Mobichain - Is a unique product that combines the mobile articulated jib crane smoothness with fast, precise and stepless lifting movements via an integrated Mechchain Pro.

Ergonomics in focus

The lifting and lowering movements are controlled via joystick that can be free-hanging or integrated in a gripper.

The choices are many

Height-adjustable floor pillar, mobile or fixed mounting, reach of up to 4 meters and a lifting capacity up to 125 kg is Mobichain a exceptional product for ergonomic and sustainable handling.

Encoder

Mobichain can also be equipped with an optional encoder that reads the axle in the spondle limit switch. This enables you to set both the lower stop position and two additional stop/start positions along the stroke. The positions are stored in built-in memory in the frequency converter and are not lost in the event of a power outage.

*Mobichain combines
functionality and
ergonomics in a modern
product design that is
ready for the needs of
the future*

The ergonomic lift

You can maneuver a sack handling tool together with a Mobichain in a simple and flexible way.

Easy sack is ergonomically correct for those who need to lift, cut and empty sacks of their contents.

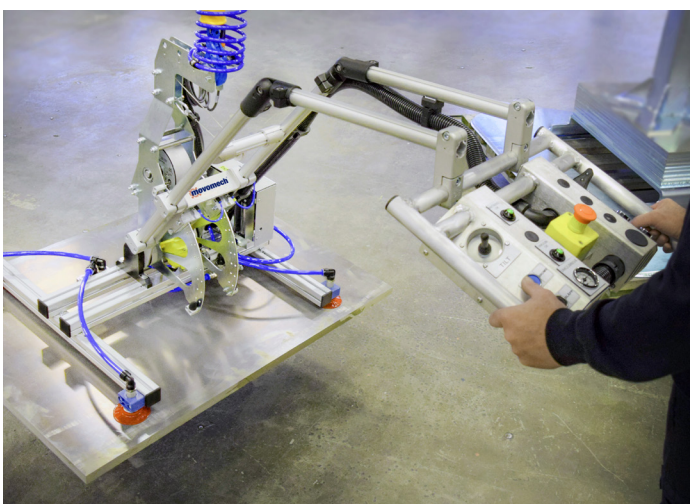
The smooth stepless movements and high-precision positioning make sure that the sack stays in position while being cut and emptied.

**Contact Movomech about how
Mobichain can help your
company**

SACK HANDLING TOOL - EASY SACK



PANEL GRIPPER TOOL - EASYPANEL

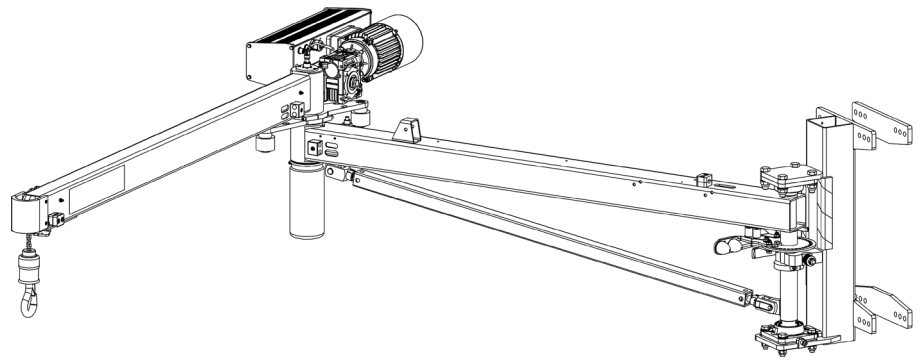


Movomech's modular panel lifting tool **Easypanel** facilitates the lifting of panels, cartons and board material in many different trades and industries.

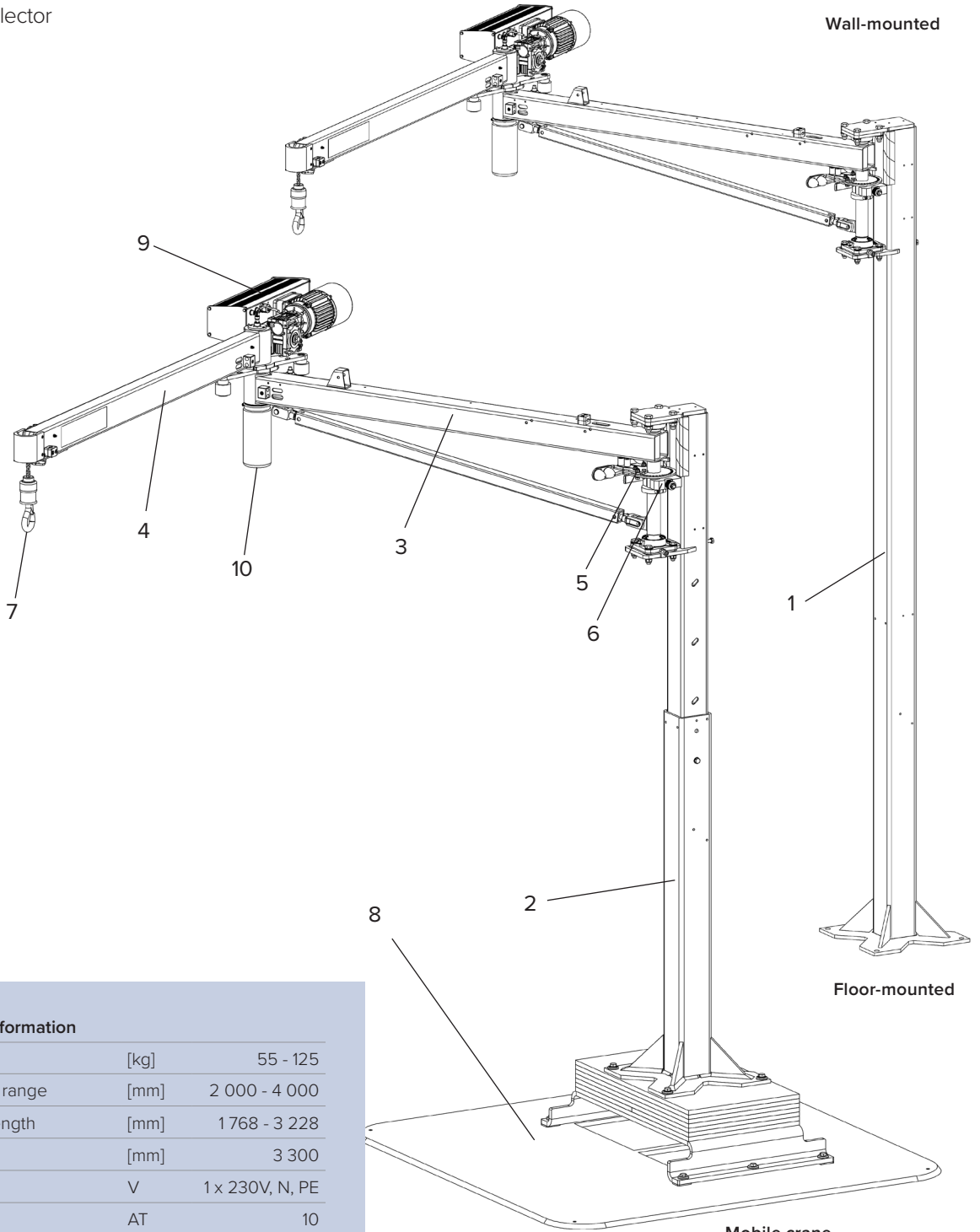
The panel handling tool concept has a generous number of accessories and configuration options - making it perfectly adapted to each unique workstation.

In the unlocked position, the control handle is vertically balanced and maintained at the correct ergonomic level for the operator during the entire work process.

1. Fixed pillar (B Fix)
2. Adjustable pillar (B, B+500)
3. Inner arm
4. Outer arm
5. Rotation limiter (optional)
6. Parking- and drift brake
7. Lift hook
8. Mobile platform
9. Mechchain
10. Chain collector



Wall-mounted

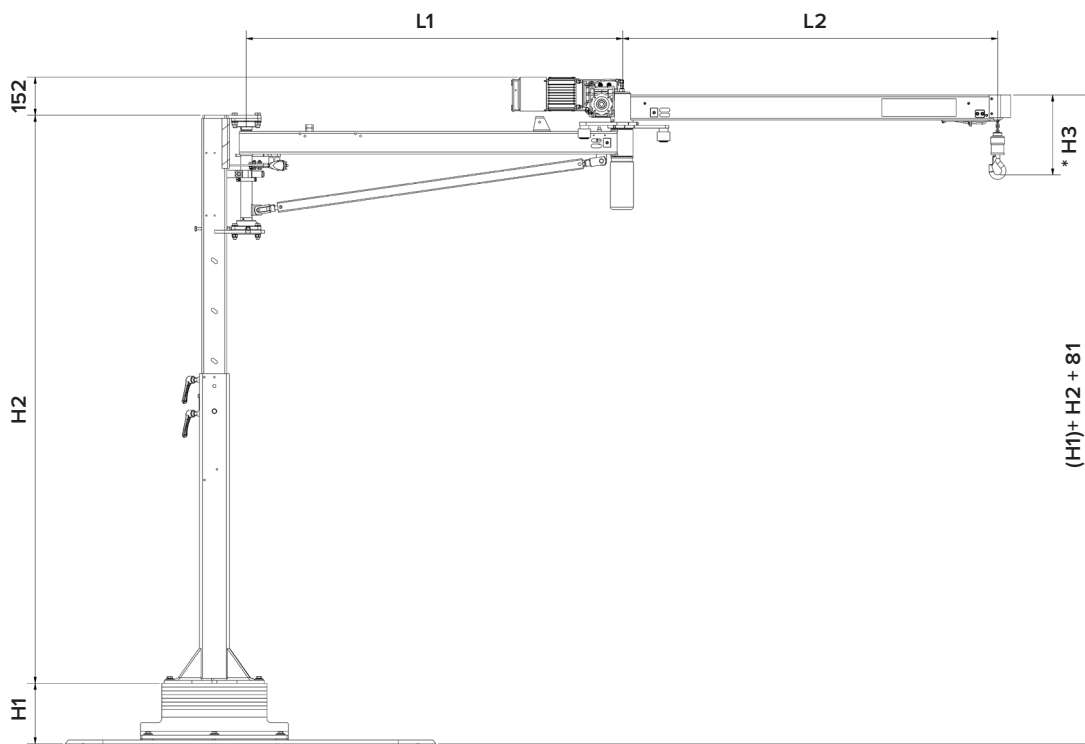


Floor-mounted

Mobile crane

Technical information

Max. load	[kg]	55 - 125
Max. jib arm range	[mm]	2 000 - 4 000
Max. pillar length	[mm]	1 768 - 3 228
Stroke	[mm]	3 300
Voltage	V	1 x 230V, N, PE
Fuse	AT	10
Lifting speed	m/s	0-10



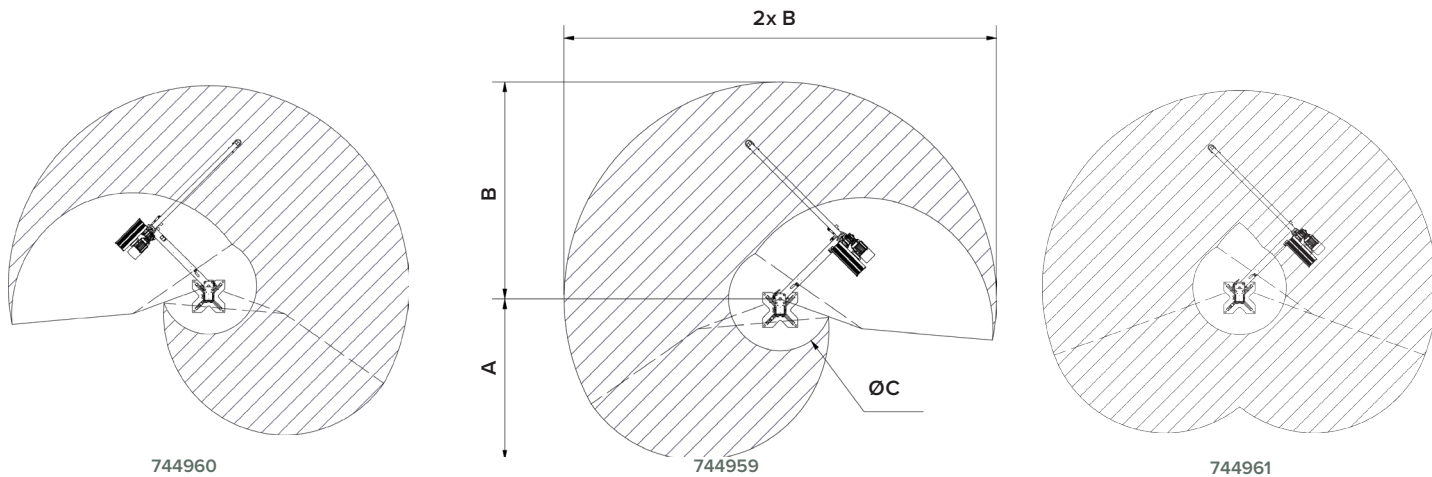
* Depending on type of hook, swivel etc.
 Dimensions are also affected when choosing a spiral hose and/or spiral cable.

L1	L2	A	B	ØC
1000	1000	1342	2000	695
1000	1500	1842	2500	1187
1500	1500	2013	3000	783
1500	2000	2513	3500	1348
2000	2000	2684	4000	1044

Configurations

1. Construction form

- Left hung Mobichain 744960
- Right hung Mobichain 744959
- Full rotation Mobichain 744961



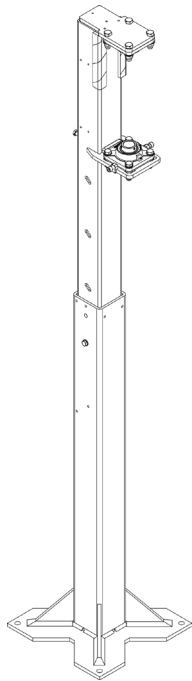
Outer arm rotation restriction

Konfiguration

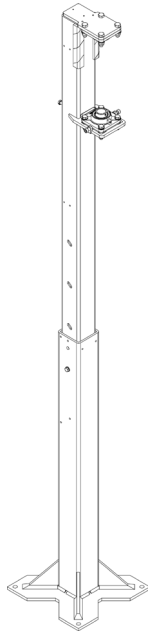
2. Pillar / Wall bracket	Spezifikation	#
* Adjustable pillar	Height (H2) 1768-2728 mm	743253
* Adjustable pillar + 500 mm	Height (H2) 2268-3228 mm	743254
** Fixed pillar	Max height (H2) = 3500 mm	743953
Wall bracket		743255

* Adjustable pillar at 50 mm intervals

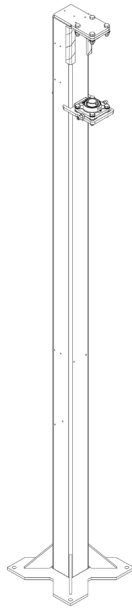
** Fixed pillar height min. 1700 mm, max. 3500 mm



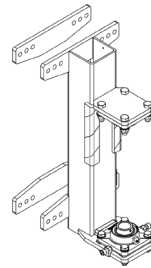
743253



743254

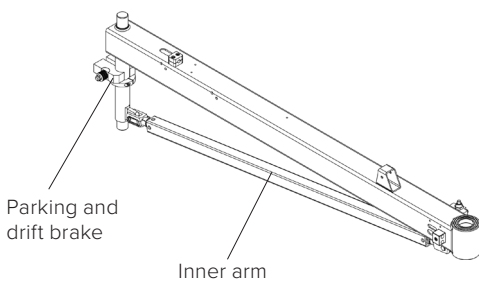


743953

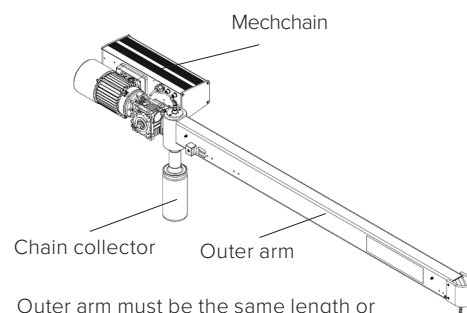


743255

3. Inner arm	Length	#
Inner arm	1000 mm	744926
Inner arm	1500 mm	744927
Inner arm	2000 mm	744928



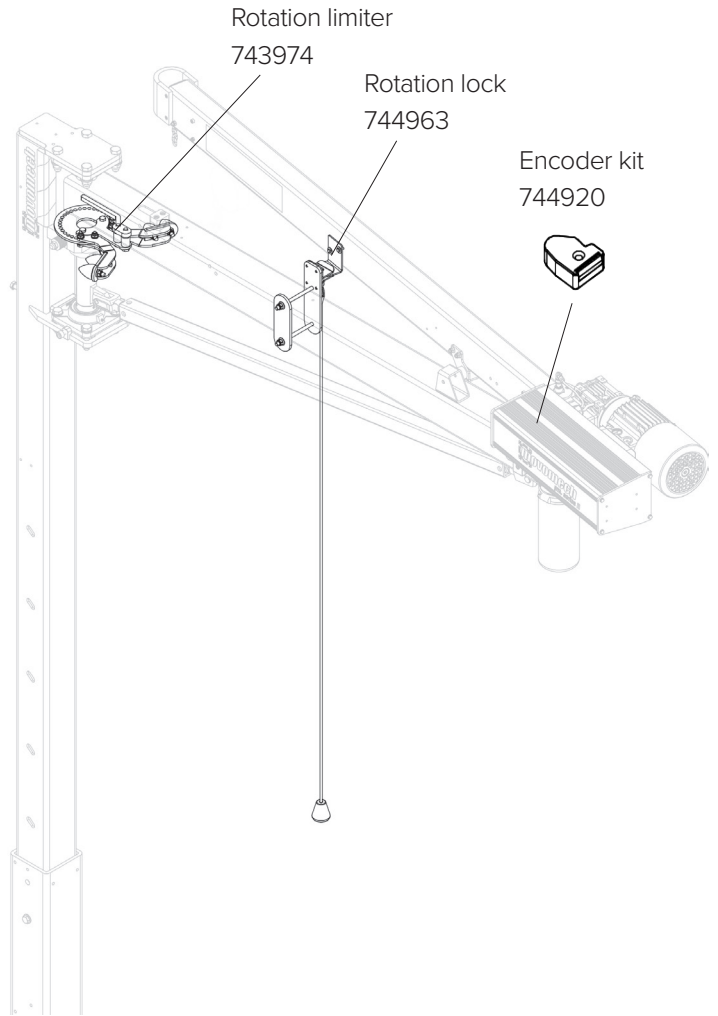
4. Outer arm	Length	#
Outer arm	1000 mm	745217
Outer arm	1500 mm	744772
Outer arm	2000 mm	744773



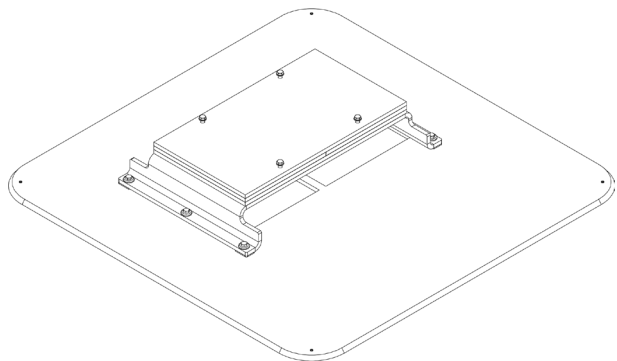
Crane options

1. Option	#
Rotation limiter	743974
2. Option	#
Rotation lock	744963
3. Option	#
Encoder kit	744920

- * The encoder simplifies positioning in the Z-direction
- * Mounted in the rotary limit switch
- * Teach-in function
- * Connected directly to Mechchain Pro II (no external PLC)



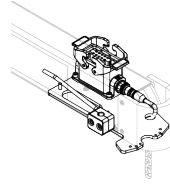
4. Mobile footplate			
Height (H1)	Arms	Kapacity	#
181 mm	1 m + 1 m	125 kg	742425
211 mm	1 m + 1,5 m	100 kg	743251
241 mm	1,5 m + 1,5 m	85 kg	743418
286 mm	1,5 m + 2 m	70 kg	743562
316 mm	2 m + 2m	55 kg	744929



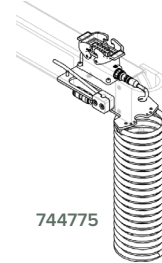
Control cable - Hanging

1. Interface outer arm

Hanging cable M17	744774
Hanging cable M17 + Ø10 pneu	744775



744774



744775

2. Control cable - Hanging Length

Control cable M17	2500 mm	742955
-------------------	---------	--------



3. Hook Height

Chain hook w. damper	H3 = 320 mm	731418
Safety hook incl. swivel	H3 = 350 mm	731637
Swivel hook w. el 8P + Pneu Ø8	H3 = 700 mm	744779
Swivel hook w. pneu Ø8	H3 = 700 mm	744780



731418



731637



744779



744780

4. Control unit

M17 With emergency stop	742195
M17 With emergency stop + protection	742196
M17 With em. stop + protection + handle	742197



742195



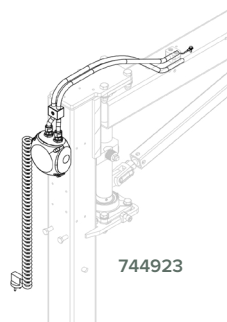
742196



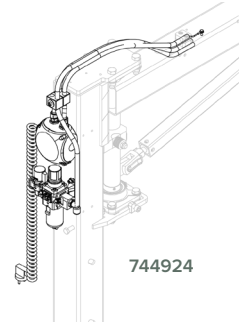
742197

5. Media supply

Electrical	744923
Electrical + Pneu Ø10	744924



744923



744924

Optional accessory

1. To control unit

#

Mounting clamp

742242

Wall bracket

742243

Adjustable wall bracket

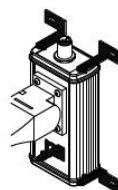
742244

Box

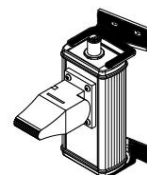
742346



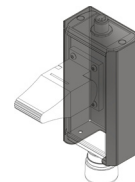
742242



742243



742244



742346

2. Balancer

#

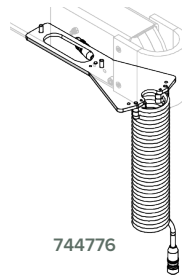
Balancer for cable

745095

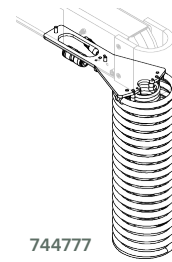


Control cable - Spiral

1. Interface outer arm		#
Spiral cable M12		744776
Spiral cable M12 + Ø10 pneu		744777



744776



744777

2. Control cable - Spiral			Length	#
Control cable M12	300 mm			743105
Control cable M12	600 mm			740937
Control cable M12	1000 mm			741586
Control cable M12	2000 mm			741678
Control cable M12	5000 mm			741679
Control cable M12	7500 mm			741680



3. Hook		Height	#
Chain hook w. damper	H3 = 320 mm		731418
Safety hook incl. swivel	H3 = 350 mm		731637
Swivel hook w. el 8P + Pneu Ø8	H3 = 700 mm		744779
Swivel hook w. pneu Ø8	H3 = 700 mm		744780



731418



731637

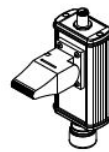


744779



744780

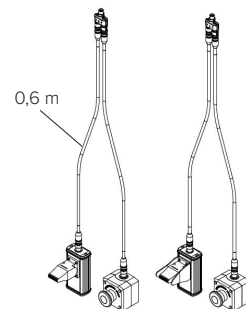
4. Control unit		#
M12 With emergency stop		742192
M12 With emergency stop + protection		742194
M12 With separate emergency stop		742240
M12 With separate emergency stop + protection		742241



742192



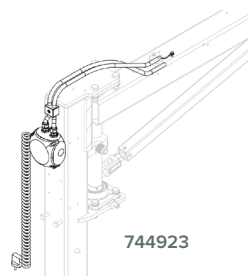
742194



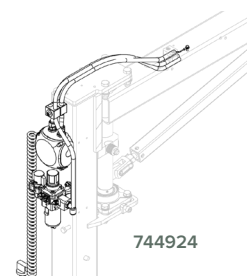
742240

742241

5. Media supply		#
Electrical		744923
Electrical + Pneu Ø10		744924



744923



744924

Optional accessory

1. To control unit

#

Mounting clamp

742242

Wall bracket

742243

Adjustable wall bracket

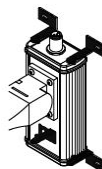
742244

Box

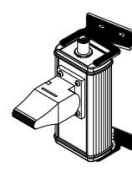
742346



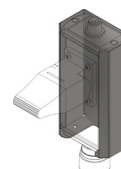
742242



742243



742244



742346



WORLD-CLASS LIFTING SOLUTIONS

AUTOMOTIVE

Audi | Autoliv | BMW | DAF | DaimlerChrysler | Faurecia | Ford | General Motors | Jaguar | Johnson Controls | Lear Corporation | MAN | Mercedes Benz | Nissan | Renault | Opel | Peugeot | Porsche | Scania | Tower Automotive | Volkswagen | Volvo AB | Volvo Cars

LINE BUILDERS

ABB | Comau | Dürr | KUKA | Lear Corporation | Magna | ThyssenKrupp | TMS | VDL Steelweld

GENERAL INDUSTRY

ABB | Airbus | Alfa Laval | Arla | Arvin Industries | Arvin Meritor | Atlas Copco Tools | Astra Zeneca | Ballingslöv | Cardo | Carglass | Carlsberg Sverige | Daloc | Danfoss | Dooria | DynaMate | Dynapac | Electrolux | European Furniture Group | Finja | Geberit | GPI Systems | Husqvarna | IFÖ | Jeldwen | Kilsgaard | Kinnarps | Orresta dörr | Outokumpu | Pilkington | Randek BauTech | Saab AB | Schenk | SKF | Statoil | Swedese | Tarkett | TESA | TMHMS | Westinghouse



MOVOMECH AB
E-mail: sales@movomech.com
Web: www.movomech.com