

Lift&Drive Data Centre Lifter

Technical data



Technical data

| Model | DC15 U42 | DC15 U60 | DC09 U42 | DC09 U52 |
|-------------------------------|-----------------------|--------------|-----------|-----------|
| Article number | 191542-10/20 | 191560-10/20 | 200942-20 | 200952-20 |
| Load type | Server or battery | | | |
| Max load including tool (kg) | 150 | 150 | 90 | 90 |
| Max lifting speed full (mm/s) | 62 | 62 | 132 | 132 |
| Platform type | Sliding or fixed | | Fixed | |
| Height in "U" | 42 | 60 | 42 | 52 |
| Minimum height in "U" | 1 | | | |
| Weight (kg) | 95 | 122 | 65 | 85 |
| Front wheel | Swivel (std) or fixed | | | |
| Min turning radius* (mm) | Ø1095 | Ø1222 | Ø887 | Ø1126 |
| Safety regulations | CE 42/2006 | | | |

Options

| Model | DC15 U42 | DC15 U60 | DC09 U42 | DC09 U52 |
|-----------------------|----------|----------|----------|----------|
| Sliding platform | ◦ | ◦ | - | - |
| Changes in height | ◦ | ◦ | ◦ | ◦ |
| Adjustable top switch | - | 220642 | - | 220643 |
| Sound signal | - | ◦ | - | ◦ |
| Light indication | - | ◦ | - | ◦ |
| ESD | ◦ | ◦ | ◦ | ◦ |
| Transfer rails | 220647 | | | |
| Clamping straps | ◦ | ◦ | - | - |
| Ladder | ◦ | ◦ | - | - |
| Raised profile 50mm | 220648 | | | |

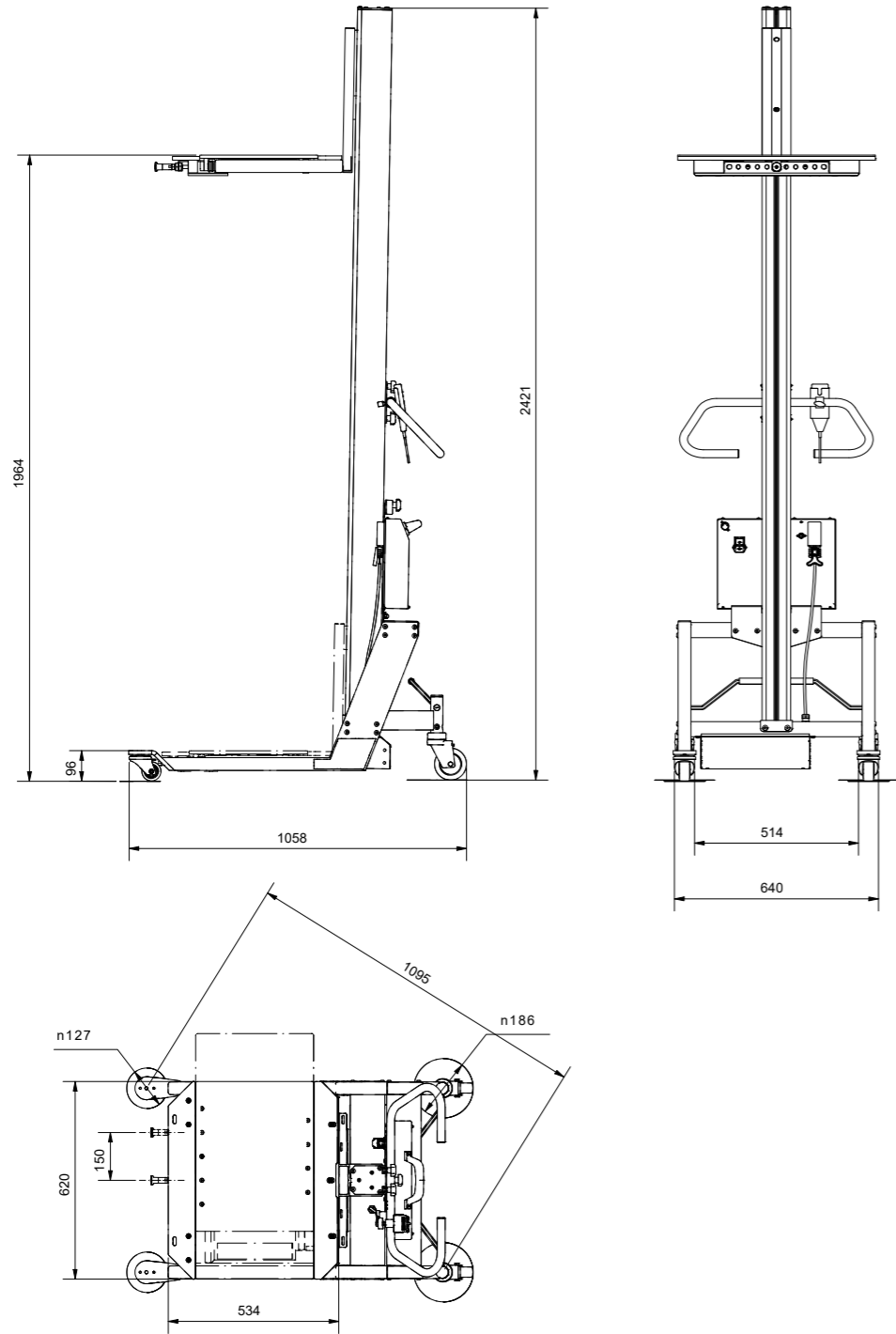
Batteries

| | |
|--------------------------------|--|
| Battery | Sealed, valve regulated, lead-acid batteries (VRLA) |
| Nominal battery voltage | 24V DC (12V x 2) |
| Battery capacity | 17Ah/12Ah |
| Nominal charge voltage | 27.6V stand-by. 29V max voltage. |
| Nominal charge current | 1350 mA - 2400 mA |
| Available plugs with charger** | Plug Type A – North America Plug Type C – Europe Plug Type G – UK Plug Type I – AU / NZ |

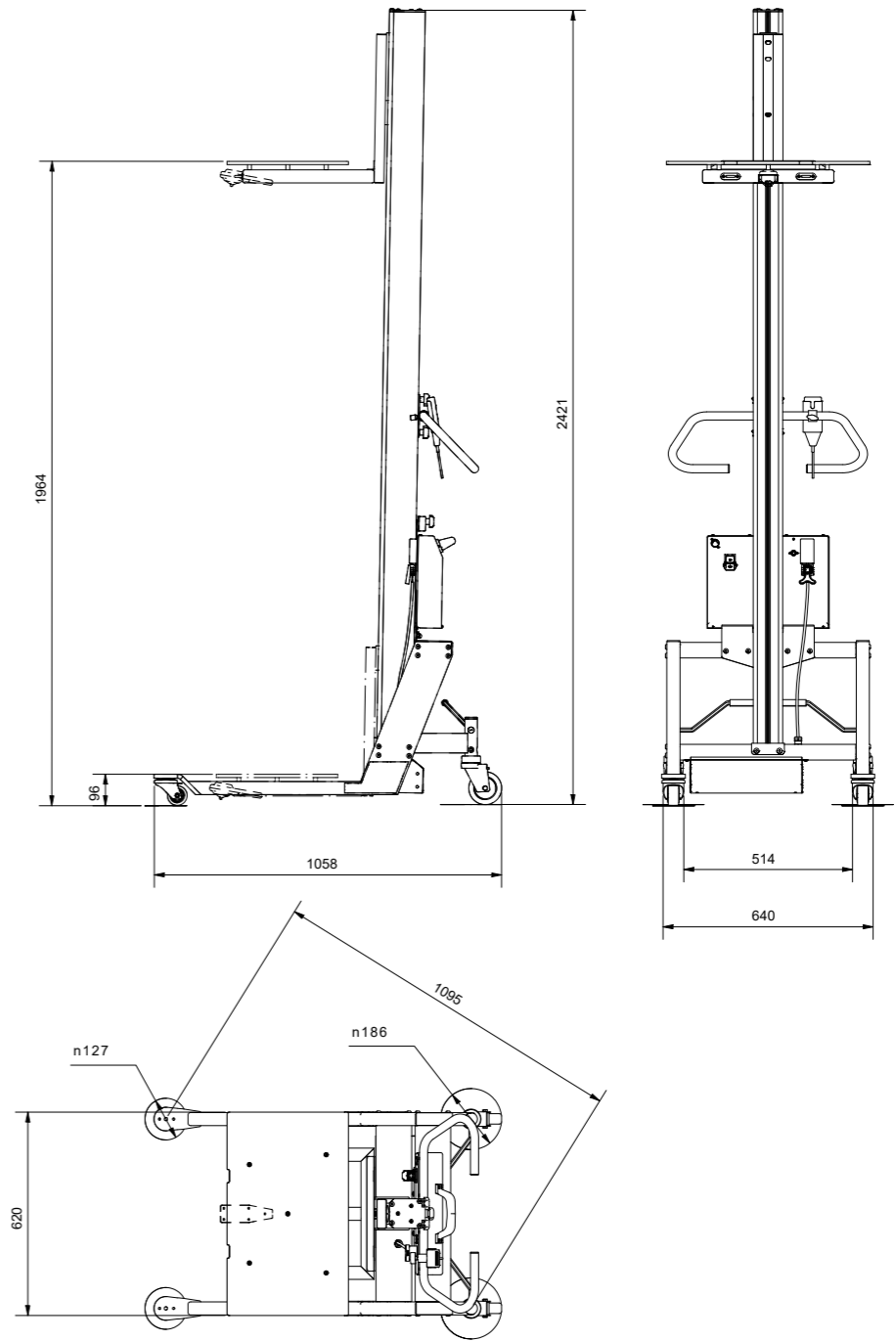
* Central pivotal point calculated as center point between the diagonal swivel wheel pair

** The charger is CSA

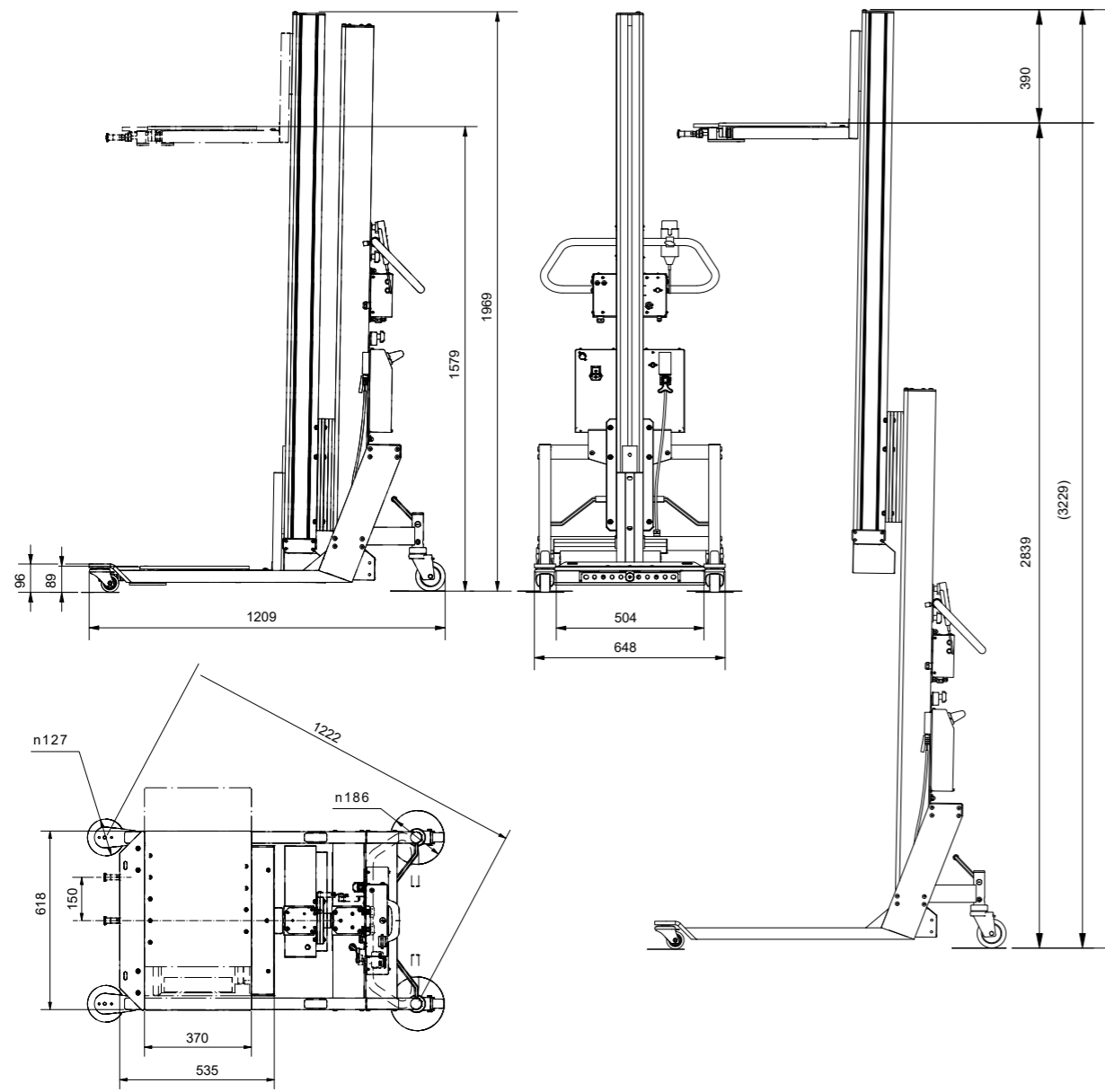
Dimensions DC15 U42-10



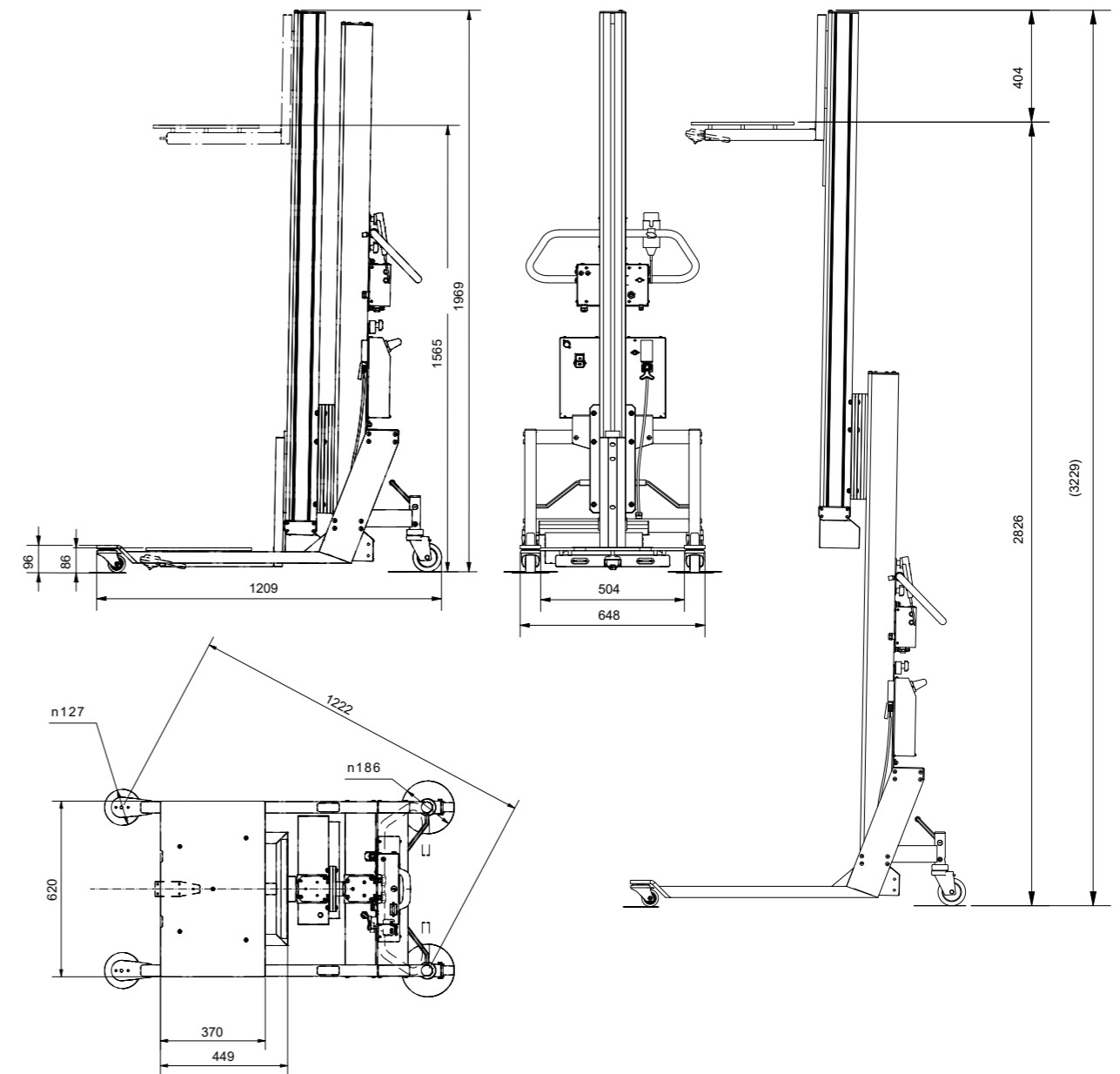
Dimensions DC15 U42-20



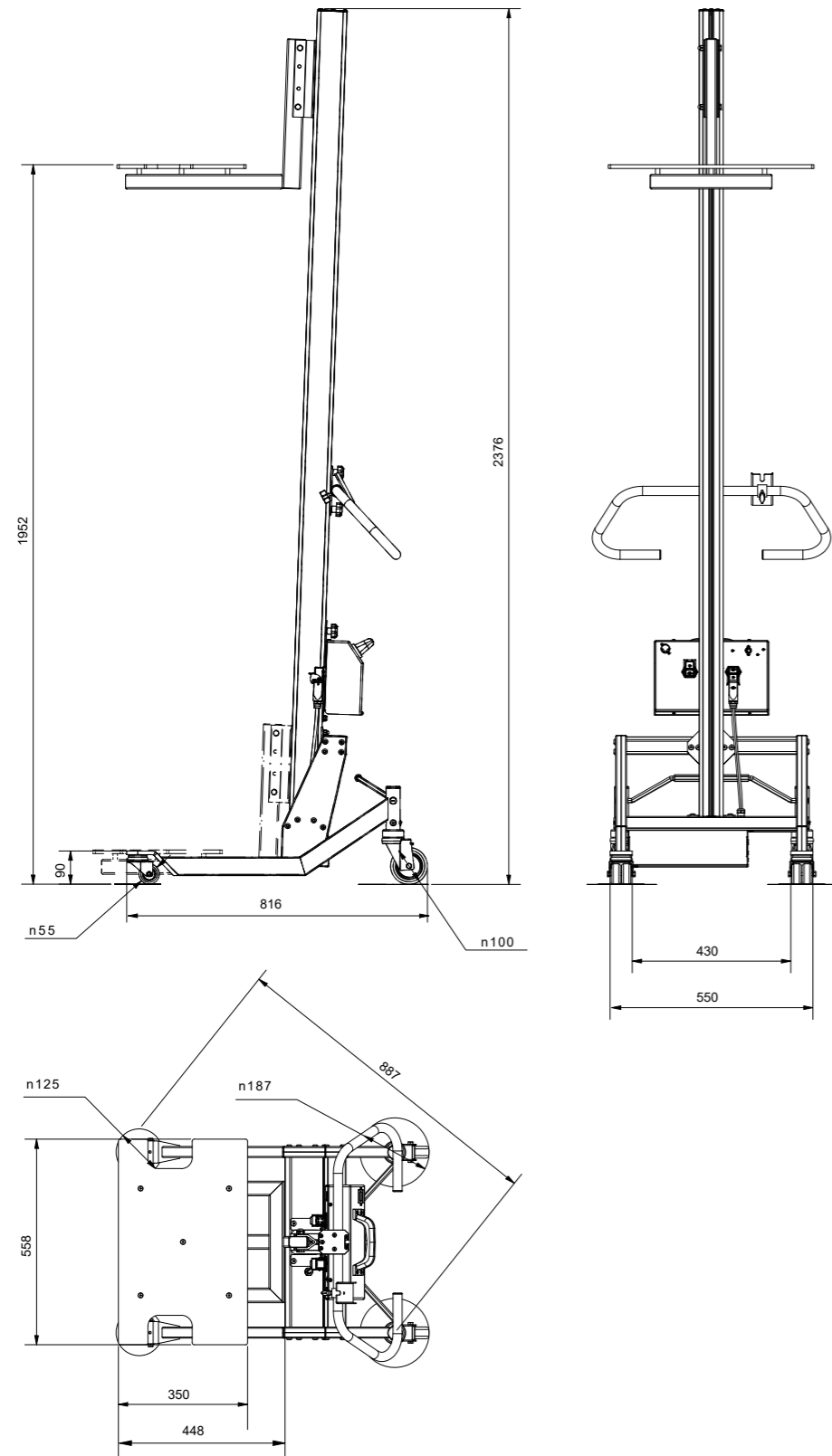
Dimensions DC15 U60-10



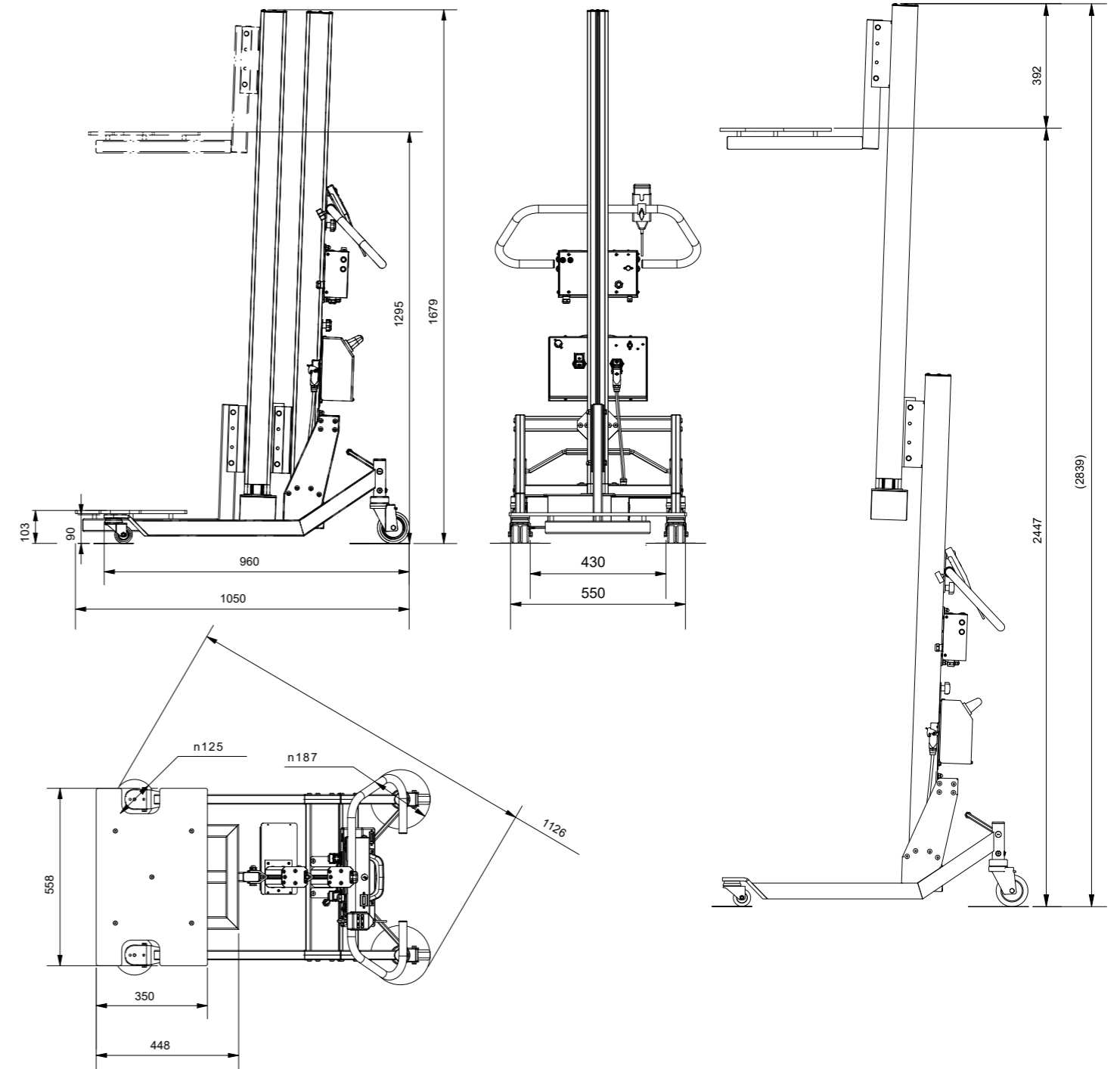
Dimensions DC15 U60-20



Dimensions DC09 U42



Dimensions DC09 U52



Disclaimer. We reserve the right to make changes. Illustrations, drawings and data are not always in accordance with the latest version or standard model in production. The models in the pictures may present special equipment or colours.

Smart moves
For safe work

PRONOMIC
pronomic.com
Present with sales and service in FLAPD area