



# Mechlift Pro 100

# Versatile moment absorbing manipulator

## Easy to integrate

Mechlift Pro 100 is advantageously installed in a rail system. In its upper mounting, the lifter can be fixed or rotatable. At the bottom, there are a number of tools adapters to choose from, with or without rotation. At the tool adapter, a pneumatic gripping tool with its control units is easily integrated. Even a simple mechanical tool provides a smooth and ergonomic handling.

In the outer profile are torque-absorbing wheels, which enables load outside the lifter's vertical lift shaft.

## Many pneumatic versions

A variety of pneumatic configurations allow adaptation to widely differing handling situations. Mechlift Pro 100 is available in several standard versions: counterbalanced for 1 or 2 loads, or in a pilot control version for balancing of varying loads in combination with a throttle handle or a pneumatic load cell.

## Standard vs. Automotive

Pneumatics configurations are available in two variants.

The standard version is the natural solution for material handling and lifting technique within the general industry.

For more demanding applications, we offer a version Automotive equipped with additional security functionality.

## Reliable and easy to service

Mechlift Pro 100 fits well in demanding environments where high reliability and performance is required, such as in assembly processes in the automotive industry.

The pillar unit consists of telescoping aluminium profiles that are anodized and thereby completely maintenance free, and other parts are easily accessible for maintenance and inspection.

## Suitable for many applications

Pneumatic Mechlift Pro 100 is a lifter that is suitable for many types of handling solutions.

Typical application areas for pneumatic Mechlift Pro are handling of cable rolls, mat rolls, tanks, doors, windows, and various types of automotive parts such as vehicle doors, sunroofs, seats, windshields, hoods, etc.

”

Mechlift Pro 100 fits well in demanding environments where high reliability and performance is required, such as in assembly processes in the automotive industry.

”

# Mechlift Pro 100

## Balanced 2-weight

Handling of one balanced load; with an external actuator the operator selects "Load" or "Without load".

## Balanced 3-weight

Handling of two balanced loads; with external actuator the operator selects "Load 1", "Load 2", or "Without load".

## Pilot control (various loads)

A precise and smooth handling of various loads using a throttle handle or a load cell.

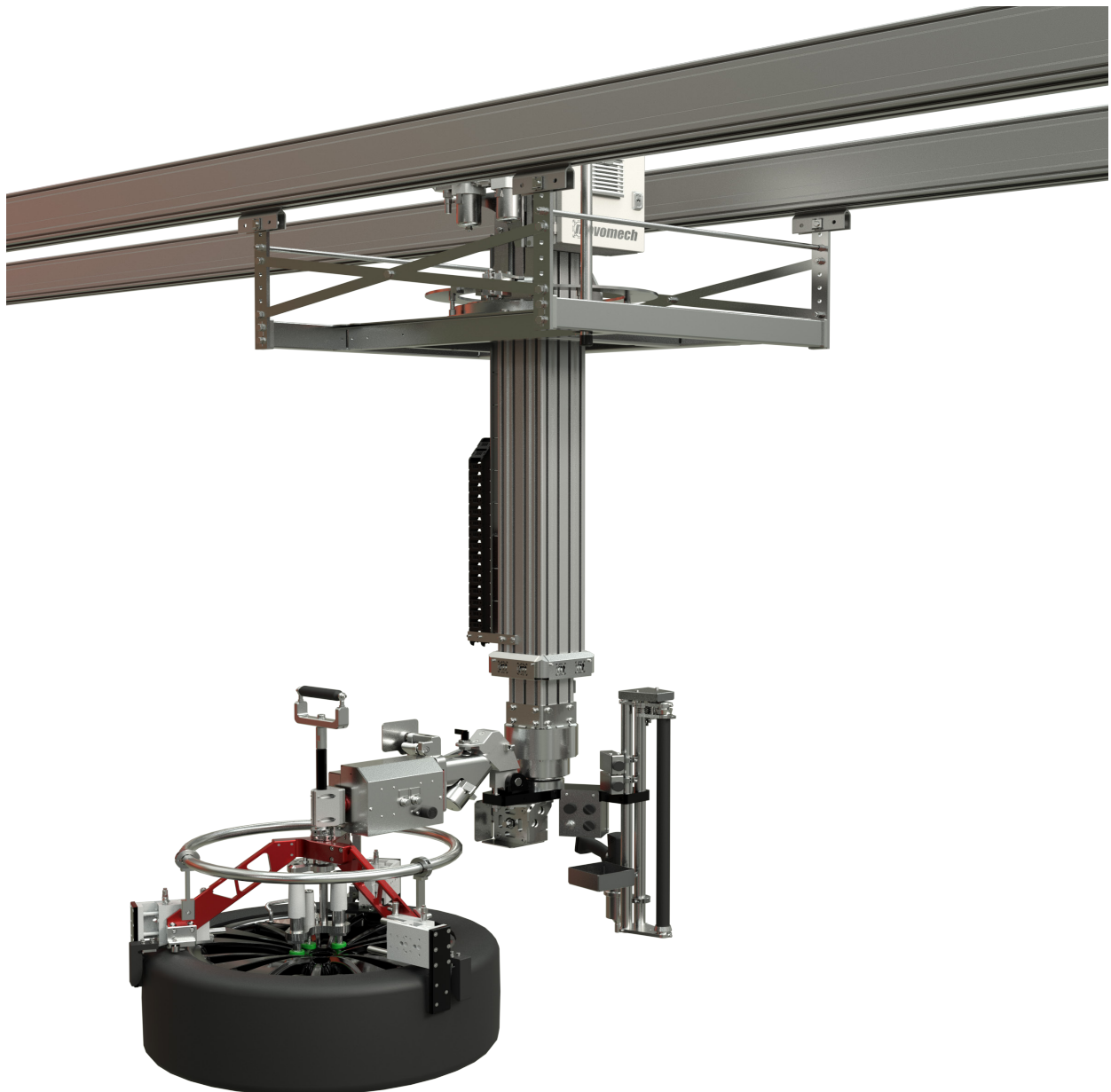
## Slow speed function

All pneumatic configurations can be equipped with a slow speed function for a controlled lowering motion. Functional conditions are configured by the customer, and depend on the specific application.

## Automotive (AM)

The load is switched by a bistable valve, ie. load alternation is done by impulse signals.

For other pneumatic configurations, contact Movomech.



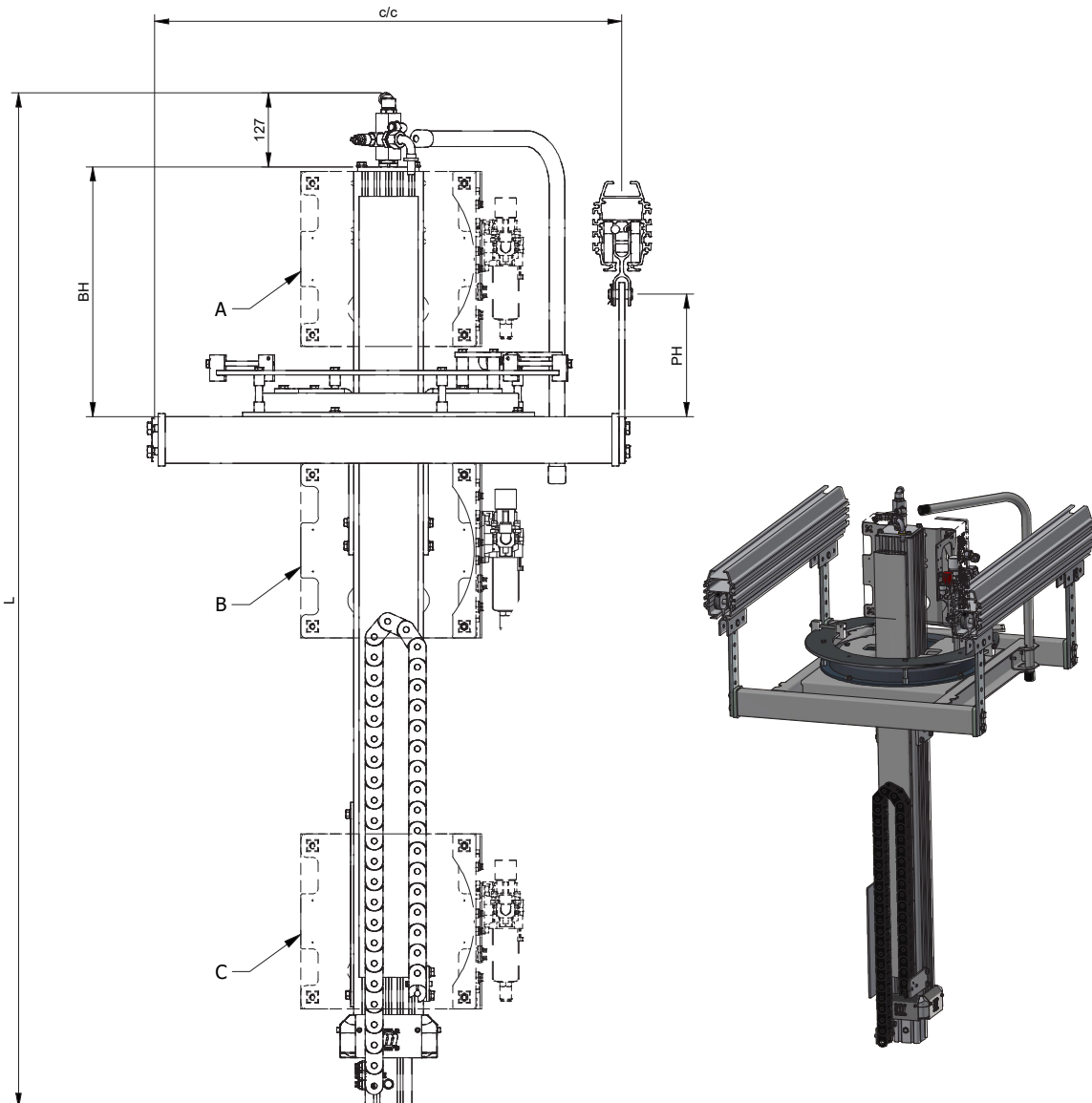
## Technical specification Mechlift Pro 100

Technical data	Mechlift Pro 100	Technical data	Mechlift Pro 100
Max load	100 kg	Lifting speed	0-40 m/min
Max torque	500 Nm	Rotation <sup>2</sup>	0-310° (360°)
Stroke SL	500-1500 mm	Media <sup>3</sup>	Air, non-lubricated, 40 µm
Length	SL+740 mm	Air consumption	18,7 l <sub>n</sub> /m <sub>SL</sub> (at 6 bar)
Tare weight <sup>1</sup>	57-127 kg	Work pressure	5,5-7 bar
Noice level	<70 dB (A)	Work temperature	5-40 °C (indoor use)
Suspension height PH	50-490 mm		

<sup>1</sup> Depends on configuration

<sup>2</sup> 360° by removal of rotation stops

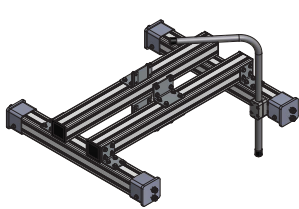
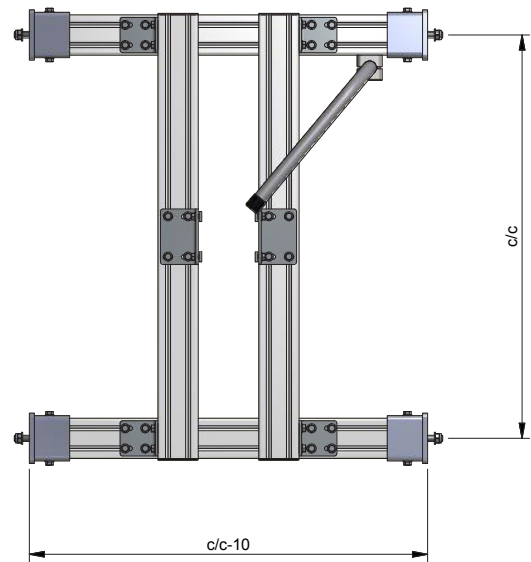
<sup>3</sup> To Mechlift Pro: 0,3 µm: FRL unit is included



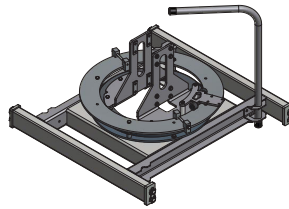
1 + 2 + 3 + 4 + 5 + (6) + (7) + PH + BH + A/B/C : Mechlift Pro 100 specification

## 1. Cross units

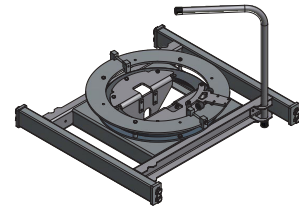
Article	kg	#
Profile cross unit c/c 800	26	740973
Profile cross unit c/c 1000	29	740976
Steel cross unit, up c/c 800	53	740975
Steel cross unit, up c/c 1000	58	740978
Steel cross unit, down c/c 800	53	740974
Steel cross unit, down c/c 1000	58	740977



740973 / 740976



740975 / 740978

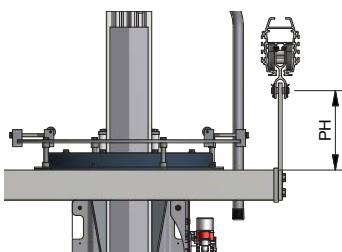


740974 / 740977

## 2. Suspensions

Article	Height PH (mm)	Quantity	kg	c/c	#	#	#
Suspension PH 50	50	4	0,6	-	733833	733835	733837
Suspension PH 90-210*	90-130-170-210	4	1,1	-	742402	740940	740941
Suspension 4x PH 250-370*	250-290-330-370	1	<10	800	742403	740942	740944
Suspension 4x PH 250-370*	250-290-330-370	1	<11	1000	742405	740943	740945
Suspension 4x PH 410-490*	410-450-490	1	<12	800	742404	740946	740948
Suspension 4x PH 410-490*	410-450-490	1	<13	1000	742406	740947	740949
				Ø (mm)	12,5	16,5	20,5
				Fits trolley	LHB	AHB1.1/2	AHB3

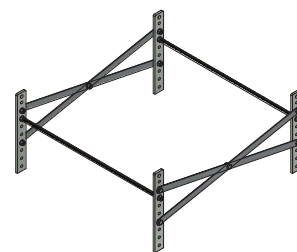
\* Cut to selected suspension height PH.



733833/35/37



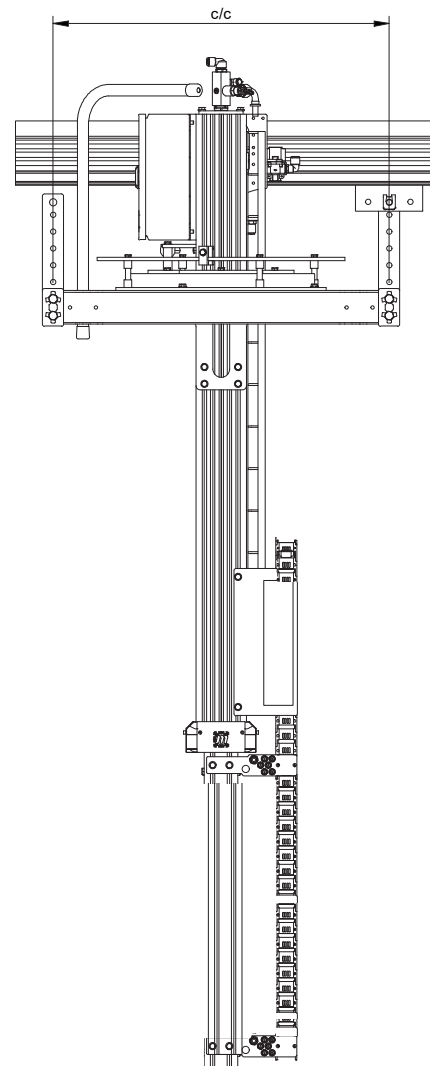
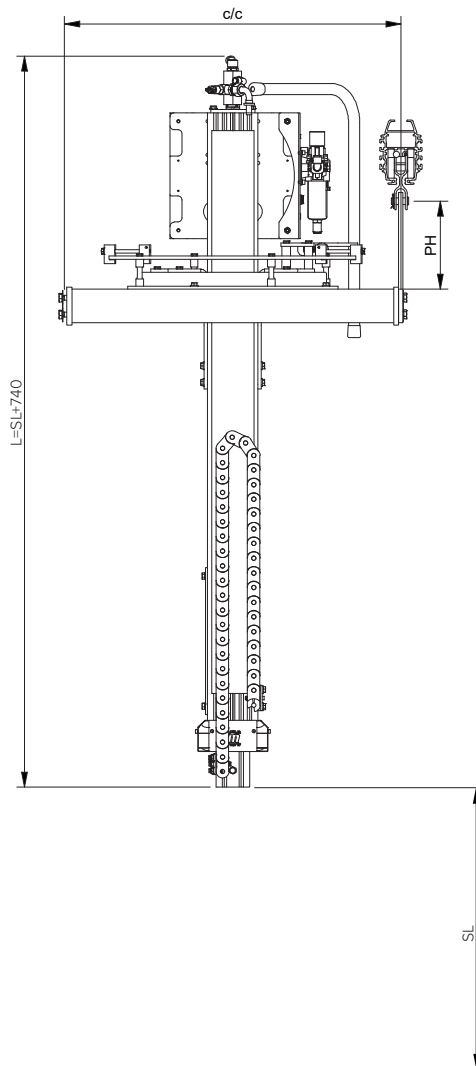
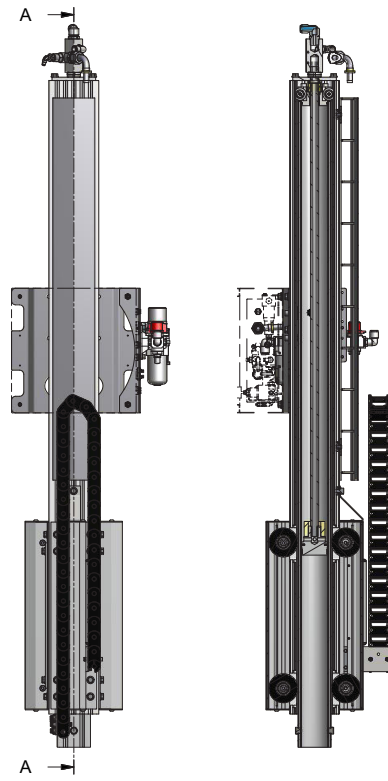
740940-41 / 742402

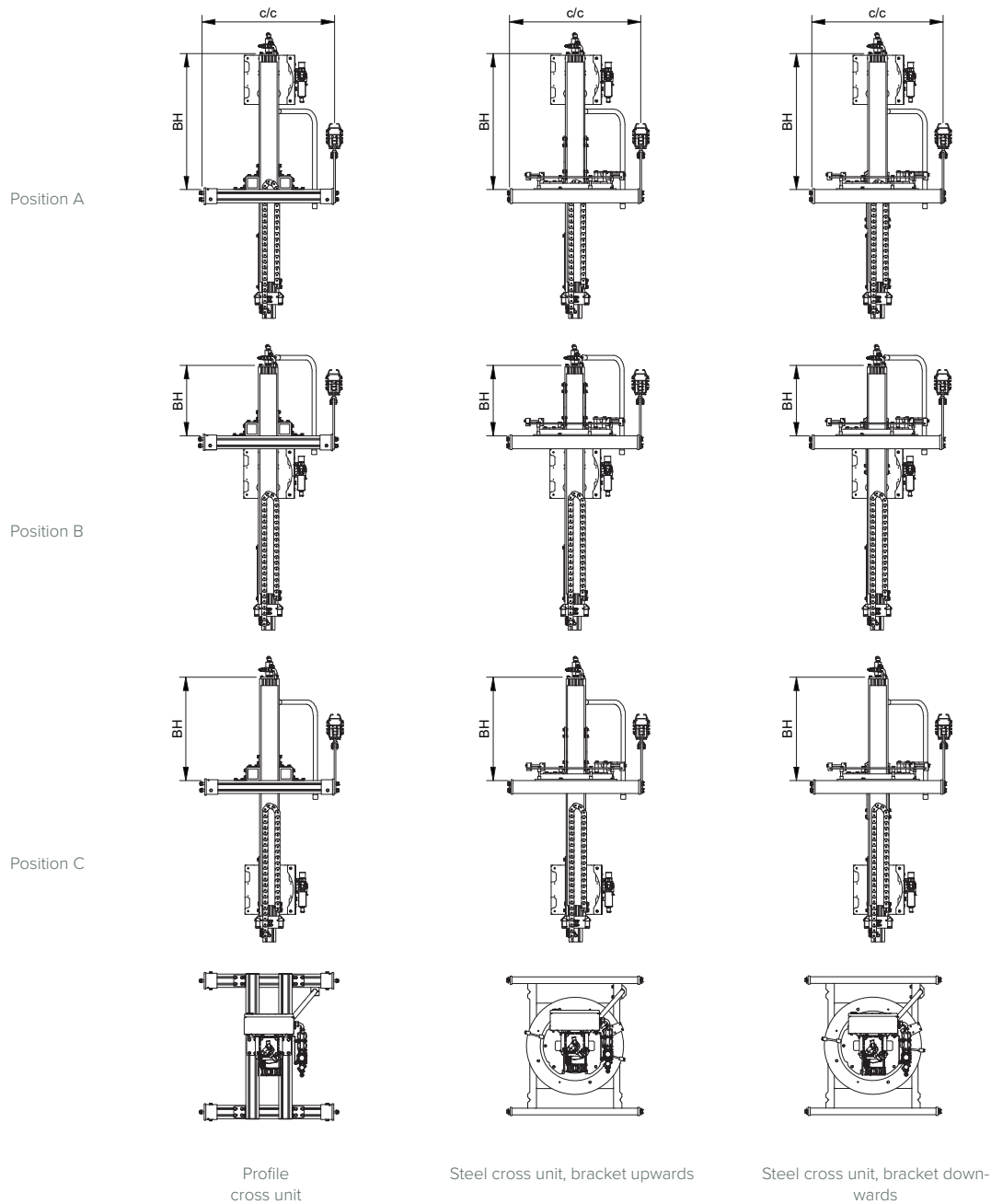


740942-49 / 742403-06

### 3. Pillar units

Article	kg	#
Pillar unit SL=500	29	744800
Pillar unit SL=750	33	744801
Pillar unit SL=1000	37	744802
Pillar unit SL=1250	41	744803
Pillar unit SL=1500	45	744804
Pillar unit SL=500-1500	<45	744805





→ Note that the build height BH is indicated from the upper profile end to the top edge of the cross unit, regardless of version.

Build height BH	SL	500	750	1000	1250	1500
Cabinet on top (position A)						
Profile unit	mm	398 - 505	398 - 755	398 - 1005	398 - 1255	398 - 1505
Steel unit, up	mm	490 - 532	490 - 639	490 - 787	490 - 895	490 - 1042
Steel unit, down	mm	-	428 - 593	428 - 787	428 - 895	428 - 1042
Cabinet below cross unit (position B)						
Profile unit	mm	165 - 505	165 - 755	165 - 1005	165 - 1255	165 - 1505
Steel unit, up	mm	335 - 532	335 - 639	335 - 787	335 - 895	335 - 1042
Steel unit, down	mm	40 - 343	40 - 593	40 - 787	40 - 895	40 - 1042
Cabinet at bottom (position C)						
Profile unit	mm	165 - 505	165 - 755	165 - 1005	165 - 1255	165 - 1505
Steel unit, up	mm	335 - 532	335 - 639	335 - 787	335 - 895	335 - 1042
Steel unit, down	mm	40 - 343	40 - 593	40 - 787	40 - 895	40 - 1042

\* Position and build height BH unless otherwise specified when ordering.

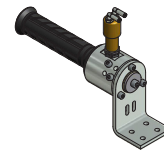
# Mechlift Pro 100

## 4. Pneumatic configurations

Article	kg	#
2-weight	4,3	741330
2-weight AM	4,4	741331
2-weight slow speed	5,6	741332
2-weight AM slow speed	5,7	741333
3-weight	5,3	741334
3-weight AM	5,6	741335
3-weight slow speed	6,6	741336
3-weight AM slow speed	6,8	741337
Pilot control	2,7	741338
Pilot control slow speed	4,0	741339

## 6. Control units

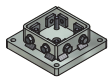
Article	kg	#
Throttle handle 180° 0-48 kg	2,2	731853
Throttle handle 180° 0-96 kg	2,2	731854



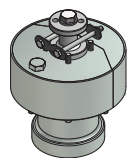
731853 / 731854

## 5. Tool adapters

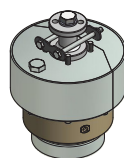
Article	kg	#
Tool adapter	2,5	731500
Rotation unit	7,3	742400
Rotation unit with brake	10,5	742401



731500



742400



742401

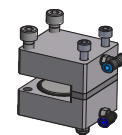
## 7. Options

Article	kg	#
Stroke limiter	<5,5	742131
Rotation brake	0,4	742708
Manual pressure release kit <sup>1</sup>	-	741843

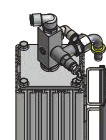
<sup>1</sup> Facilitates venting prior to maintenance work.



742131



742708



741843

For more information,  
contact your sales representative.

MOVOMECH AB  
Kabelvägen 9  
S-291 09 Kristianstad, Sweden  
Telephone: +46 (0)44 - 28 29 00  
Fax: +46 (0)44 - 28 29 28  
E-mail: info@movomech.com  
Web: www.movomech.com

