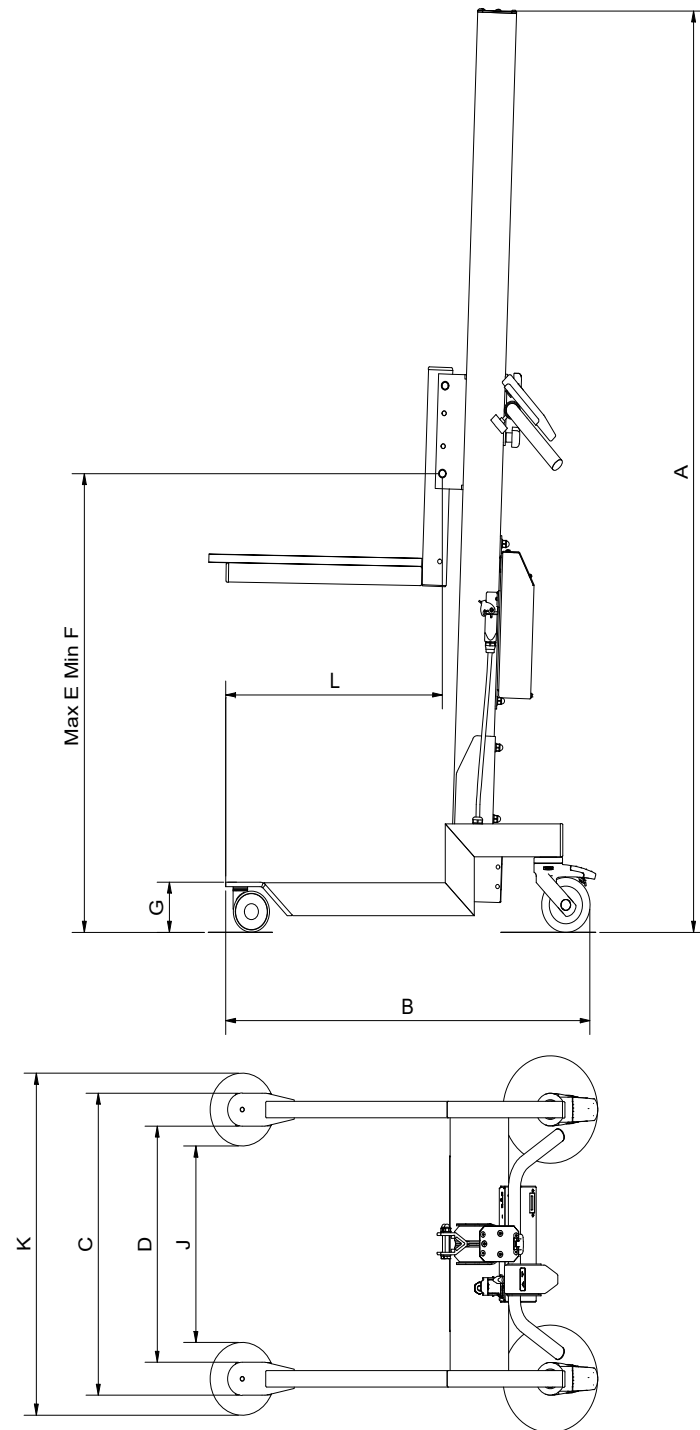


Lift&Drive 90IE

Technical data



Dimensions



Model *	A	B	C	D	E	F	G	J	K	L
90IE -250 mast (mm)	1433	764	550	430	1049	108	91	357,5	622,5	425
90IE (mm)	1683	764	550	430	1299	108	91	357,5	622,5	425
90IE +250 mast (mm)	1933	764	550	430	1549	108	91	357,5	622,5	425
90IE +500 mast (mm)	2183	764	550	430	1799	108	91	357,5	622,5	425

* Base model as standard column, legs, and cross member. The table shows theoretical measurements.

Technical data

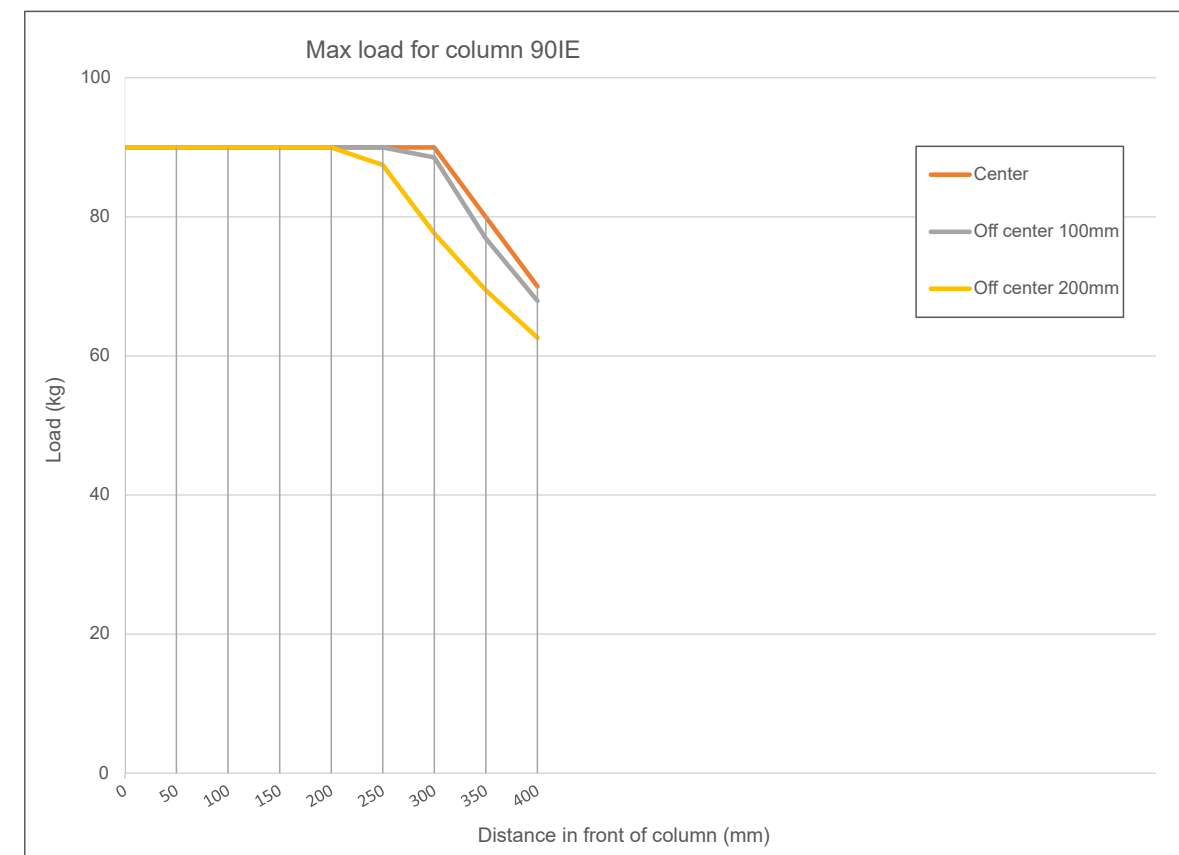
Data	90IE
Min turning radius* (mm)	Ø803
Net weight (kg)	33
Maximum load including tool (kg)	90
Max lifting speed (mm/s)	83
Stainless steel option	Yes
Safety	CE

* Central pivotal point calculated as center point between the diagonal swivel wheel pair
 ** The charger is CSA

Batteries

Battery	Sealed, valve regulated, lead-acid batteries (VRLA)
Nominal battery voltage	24V DC (12V x 2)
Battery capacity	7.2 Ah
Nominal charge voltage	27.6V stand-by. 29V max voltage.
Nominal charge current	1350 mA - 2400 mA
Available plugs with charger**	Plug Type A – North America Plug Type C – Europe Plug Type G – UK Plug Type I – AU / NZ

Load capacity



Available tools and accessories

Tools	Accessories
Platform, with or without side rolls	Tray
Roll-on platform, side or front loaded	V-block
Platform with scale	Platform for crates
Folded platform for containers	Depositry shelves
Forks, Forks for crates, with or without fold down platform	Waste bag holder single/double
Expand&Turn light	List holder
Prong	Holder for battery charger

Disclaimer. We reserve the right to make changes. Illustrations, drawings and data are not always in accordance with the latest version or standard model in production. The models in the pictures may present special equipment or colours.

Smart moves
For safe work

PRONOMIC AB
Phone: +46 (0) 8 544706 60
sales@pronomic.com | pronomic.com